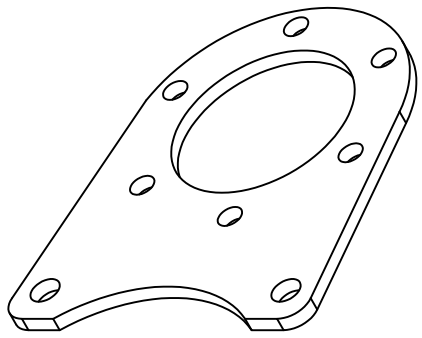
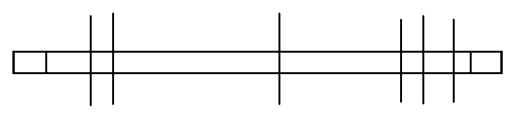
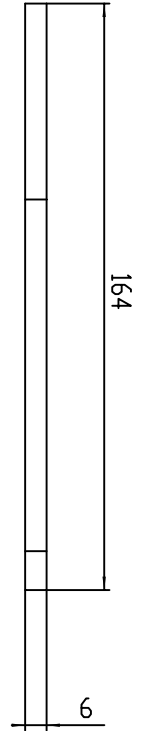
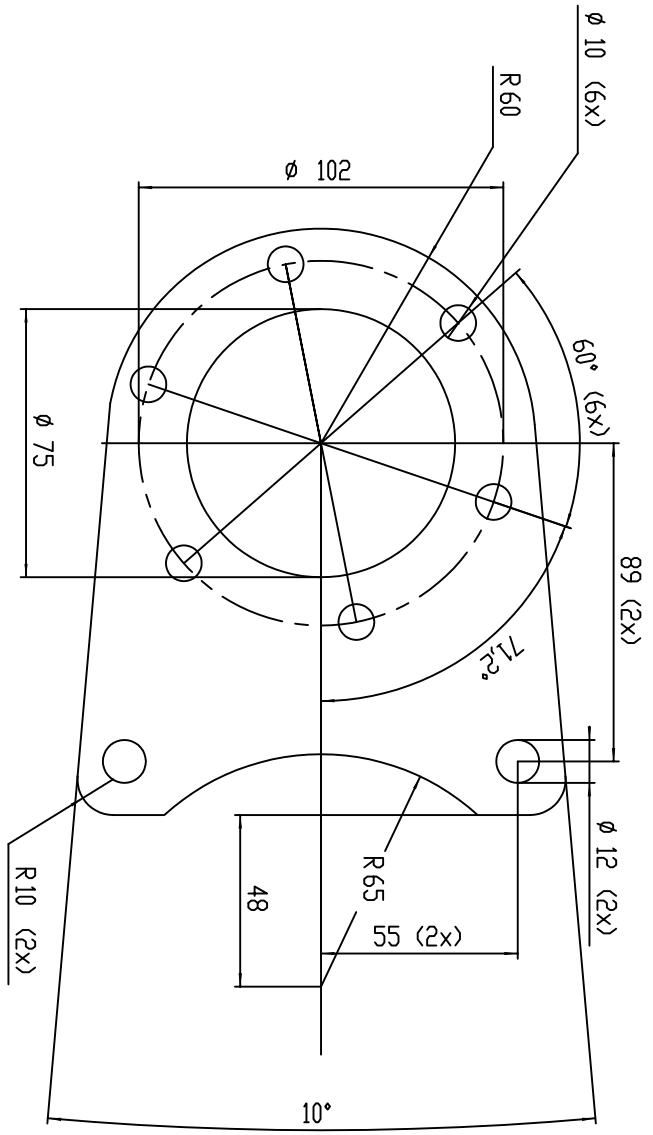


Revision	157	Note	First Edition	Date	None
----------	-----	------	---------------	------	------



	Din [mm]	Surface treatment	General tolerance	Approved date	Approved by
	Scale 1:1.5	Size A3	Sheet 1 (1)	Stock material	Design date
Description Laserskuren plåt med alla hål laserskurna		Material RIKHÅLLARE SUZUKI/VILLYS Material quality DIMEX 355 MC	Tolerance ± 0.1 mm	Drawing No.	Design by Revision

Item No--
-- Not Released --

This document was created with Win2PDF available at <http://www.win2pdf.com>.
The unregistered version of Win2PDF is for evaluation or non-commercial use only.
This page will not be added after purchasing Win2PDF.